

<b>Subject:</b>  <b>New T4SC Mounting Option</b> SPRM Flange	<b>Date:</b> 6/21/2018	<b>Issue:</b> 18-06: T4SC SPRM Flange
	<b>Issued By:</b> Russell Weaver	<b>Page(s):</b> 1 of 2

*This document is proprietary and confidential. No part of this document may be disclosed in any manner to a third party without the prior written consent of HYSON Metal Forming Solutions.*

HYSON Metal Forming Solutions announces new mounting option SPRM for our T4SC Series sub compact nitrogen gas springs. The SPRM flange converts the bottom spring port to a side port to allow for easy hose connection, prevents rotation of cylinders and meets Ford WDX 3562 Global Standard.

**Features:**

- Developed for 4 sizes of T4SC including 4700, 7500, 11800, and 18300.
- Capability to be hoses easily to any of the three ports.
- No additional adapters required.
- Takes advantage of the same mounting pattern as FFC and RM mounts.
- More compact height design when compared to SP-mount.

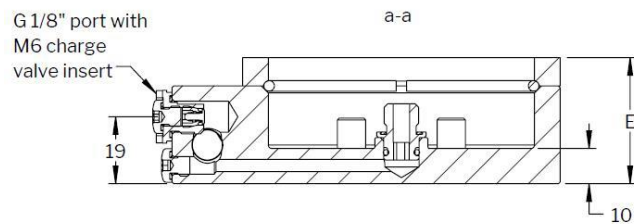
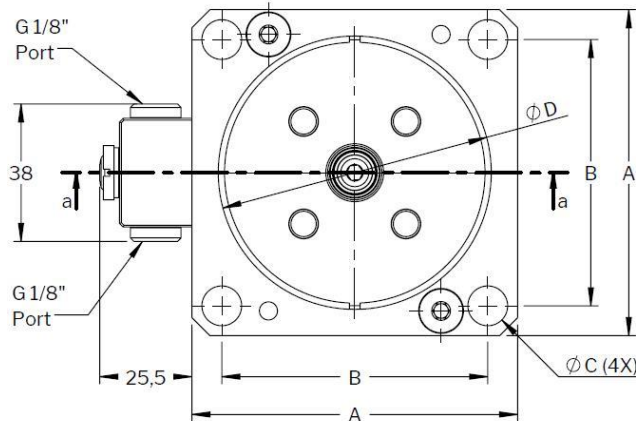


**Availability:**

Orders can begin being placed for the mounts or cylinder and mount assemblies starting in June.

**Order Information:**

Order #	Spring Size	A (mm)	B (mm)	Ø C (mm)	Ø D (mm)	E (mm)	Ford WDX #
SPRM-75	T4SC 4700	90	73.5	11	75.2	36	WDX356214075
SPRM-95	T4SC 7500	110	92	13.5	95.2	40	WDX356214095
SPRM-120	T4SC 11800	130	109.5	13.5	120.2	43	WDX356214120
SPRM-150	T4SC 18300	162	138	17.5	150.2	48	WDX356214150

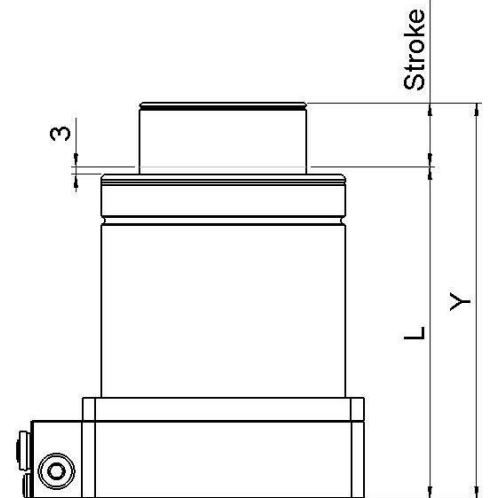


<b>Subject:</b>  <b>New T4SC Mounting Option</b> SPRM Flange	<b>Date:</b> 6/21/2018	<b>Issue:</b> 18-06: T4SC SPRM Flange
	<b>Issued By:</b> Russell Weaver	<b>Page(s):</b> 2 of 2

*This document is proprietary and confidential. No part of this document may be disclosed in any manner to a third party without the prior written consent of HYSON Metal Forming Solutions.*

## Gas Springs with SPRM Flange

Order No.	Stroke	L	Y	Ford WDX No.
T4SC 4700x010 SPRM	10	80	90	WDX35-62-0804710SR
T4SC 4700x016 SPRM	16	100	116	WDX35-62-0804716SR
T4SC 4700x025 SPRM	25	120	145	WDX35-62-0804725SR
T4SC 4700x032 SPRM	32	145	177	WDX35-62-0804732SR
T4SC 4700x040 SPRM	40	170	210	WDX35-62-0804740SR
T4SC 4700x050 SPRM	50	200	250	WDX35-62-0804750SR
T4SC 4700x065 SPRM	65	218	283	*
T4SC 7500x010 SPRM	10	90	100	WDX35-62-0807510SR
T4SC 7500x016 SPRM	16	110	126	WDX35-62-0807516SR
T4SC 7500x025 SPRM	25	130	155	WDX35-62-0807525SR
T4SC 7500x032 SPRM	32	160	192	WDX35-62-0807532SR
T4SC 7500x040 SPRM	40	180	220	WDX35-62-0807540SR
T4SC 7500x050 SPRM	50	215	265	WDX35-62-0807550SR
T4SC 7500x065 SPRM	65	224	289	*
T4SC 11800x010 SPRM	10	100	110	WDX35-62-0911810SR
T4SC 11800x016 SPRM	16	120	136	WDX35-62-0911816SR
T4SC 11800x025 SPRM	25	140	165	WDX35-62-0911825SR
T4SC 11800x032 SPRM	32	165	197	WDX35-62-0911832SR
T4SC 11800x040 SPRM	40	190	230	WDX35-62-0911840SR
T4SC 11800x050 SPRM	50	220	270	WDX35-62-0911850SR
T4SC 11800x065 SPRM	65	265	330	*
T4SC 18300x010 SPRM	10	110	120	WDX35-62-0918310SR
T4SC 18300x016 SPRM	16	130	146	WDX35-62-0918316SR
T4SC 18300x025 SPRM	25	150	175	WDX35-62-0918325SR
T4SC 18300x032 SPRM	32	175	207	WDX35-62-0918332SR
T4SC 18300x040 SPRM	40	205	245	WDX35-62-0918340SR
T4SC 18300x050 SPRM	50	230	280	WDX35-62-0918350SR
T4SC 18300x065 SPRM	65	268	333	*



\* WDX Standard does not include 65mm stroke.

**Note:** Mounting Instructions for the SPRM flange provide information on valve removal necessary for mounting flange to T4SC cylinder.