

Subject: T2SLG-H Series –Update Hold Down Cylinders	Date: 7/17/2018	Issue: 18-02A T2SLG-H
	Issued By: Stefanie Cooper	Page(s): 1 of 1

HYSON Metal Forming Solutions has redesigned the bottom adapter from M6 to M8x1. The update helps ensure the gas spring is held in position in the event of pressure drop. **T2SLG-H Series** meets binder hold down function in General Motor Standards 90.35.92 and 90.35.125

Features:

- Compatible with Mico24 Hose and Tube Systems

Availability:

The updated T2SLG-H will be available starting week of August 6

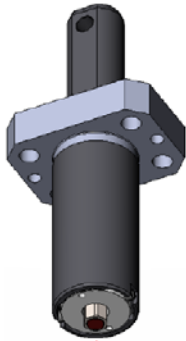
How to Order:

(Order number remains the same)

Model	– Size	x	Stroke
T2SLG-H	– 170	x	50
T2SLG-H	– 170	x	100
T2SLG-H	– 170	x	125

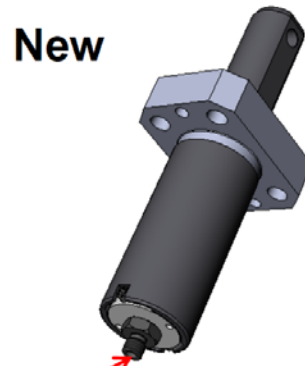
To update an earlier version of the T2SLG-H, M8x1 adapter is available (1029871)

Old



M6 hose connection

New



M8x1 for Micro EO24™Hose

Reference Product Announcement 18-02 for additional product information