

PRODUCT ANNOUNCEMENT

Subject: T3F – NEW Product Line Meeting FCA Standard 075.90.60	Date: 9/7/2017	Issue: 17-6 T3F
	Issued By: Stefanie Cooper	Page(s): 1 of 5

HYSON Metal Forming Solutions has launched *new* product line T3F Series to meet the G1/8 port requirements of Fiat Chrysler’s updated Gas Spring Standard 075.90.60. Available in four sizes, the **T3F Series** is a compact and powerful rod seal offering based off our T3 product line.

Available Sizes:

- T3F 750
- T3F 1000
- T3F 1500
- T3F 2400

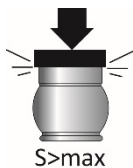


Features:

- G 1/8 charging ports
- Deeper bottom threads when compared to T3 Series
- 10mm height difference when compared to T3 Series
- Powerful contact forces ranging from 7400-39300(N) / 1665-5395(lb_f)
- Serviceable

Genuinely HYSON Safety Features:

Providing safer and more reliable products with worldwide support and service, the T3F series features Overstroke, Overpressure and Overload Protection in addition to being PED certified 2014/68/EU



Availability:

T3F will be available to order starting week 37 (September 11). Springs are shipped at 150bar/ 2175psi unless otherwise noted on the order. Typical Lead time is 4-6 weeks.

How to Order:

Model - Size	x	Stroke
T3F -750	x	13

PRODUCT ANNOUNCEMENT

Subject: T3F – NEW Product Line Meeting FCA Standard 075.90.60	Date: 9/7/2017	Issue: 17-6 T3F
	Issued By: Stefanie Cooper	Page(s): 2 of 5

Seal Kits:

- T3SK-750
- T3SK-1000
- T3SK-1500
- T3SK-2400

Pressure Adjusting Tools:

The spring force can be adjusted in the field using Pressure Indicator (Part Number: **4215072**) and Straight Fitting (Part Number: **3014016**)

T3F Charge Fittings:

T2-770-T3 for 750 product line

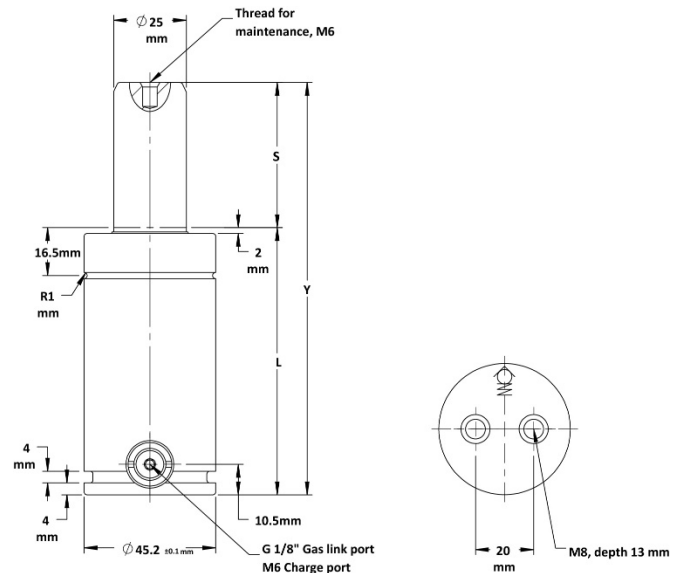
T2-770-G1/8-P for 1000, 1500 and 2400 product lines

CAD Files available at www.HysonSolutions.com

T3F Dimensional Information:

Order Number Model x Stroke	Stroke S	Y	L
	mm	mm	mm
T3F-750x10	10	62	52
T3F-750x13	13	68	55
T3F-750x16	16	74	58
T3F-750x19	19	80	61
T3F-750x25	25	92	67
T3F-750x32	32	106	74
T3F-750x38	38	118	80
T3F-750x50	50	142	92
T3F-750x63	63	168	105
T3F-750x75	75	192	117
T3F-750x80	80	202	122
T3F-750x100	100	242	142
T3F-750x125	125	292	167

Signifies Preferred offering based on FCA Standard

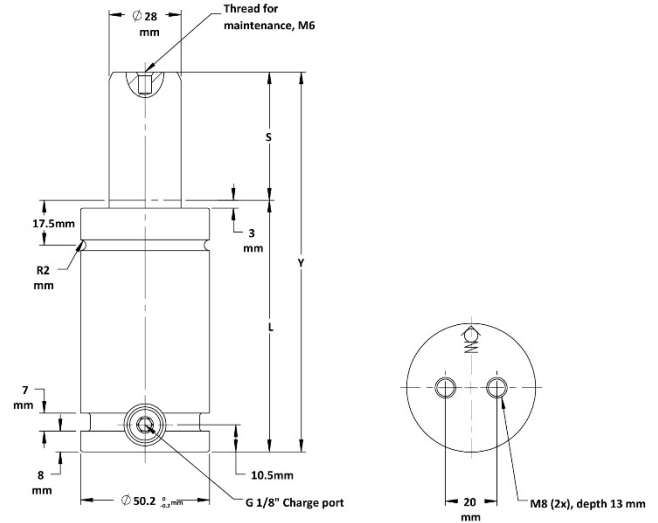


PRODUCT ANNOUNCEMENT

Subject: T3F – NEW Product Line Meeting FCA Standard 075.90.60	Date: 9/7/2017	Issue: 17-6 T3F
	Issued By: Stefanie Cooper	Page(s): 3 of 5

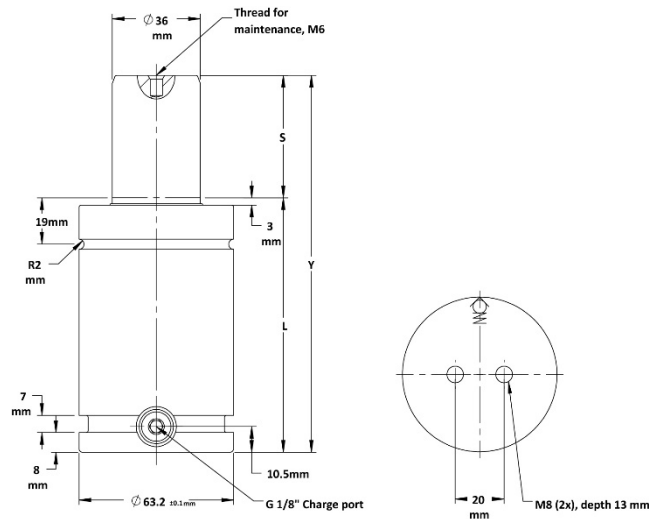
Order Number Model x Stroke	Stroke S mm	Y mm	L mm
T3F-1000x13	13	74	61
T3F-1000x16	16	80	64
T3F-1000x19	19	86	67
T3F-1000x25	25	98	73
T3F-1000x32	32	112	80
T3F-1000x38	38	124	86
T3F-1000x50	50	148	98
T3F-1000x63	63	174	111
T3F-1000x75	75	198	123
T3F-1000x80	80	208	128
T3F-1000x100	100	248	148
T3F-1000x125	125	298	173

Signifies Preferred offering based on FCA Standard



Order Number Model x Stroke	Stroke S mm	Y mm	L mm
T3F-1500x13	13	80	67
T3F-1500x16	16	86	70
T3F-1500x19	19	92	73
T3F-1500x25	25	104	79
T3F-1500x32	32	118	86
T3F-1500x38	38	130	92
T3F-1500x50	50	154	104
T3F-1500x63	63	180	117
T3F-1500x75	75	204	129
T3F-1500x80	80	214	134
T3F-1500x100	100	254	154
T3F-1500x125	125	304	179

Signifies Preferred offering based on FCA Standard

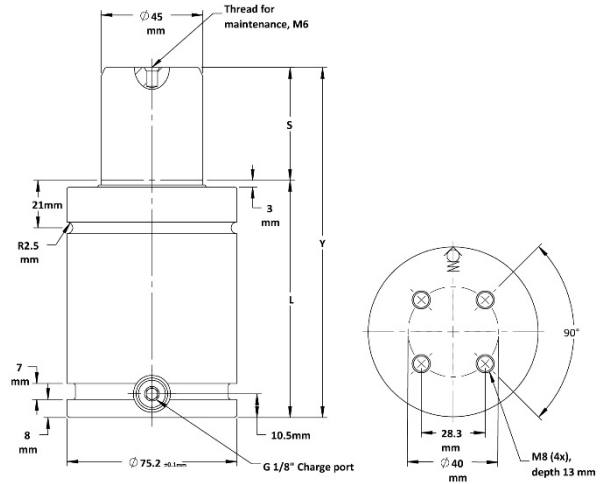


PRODUCT ANNOUNCEMENT

Subject: T3F – NEW Product Line Meeting FCA Standard 075.90.60	Date: 9/7/2017	Issue: 17-6 T3F
	Issued By: Stefanie Cooper	Page(s): 4 of 5

Order Number Model x Stroke	Stroke S mm	Y mm	L mm
T3F-2400x16	16	87	71
T3F-2400x19	19	93	74
T3F-2400x25	25	105	80
T3F-2400x32	32	119	87
T3F-2400x38	38	131	93
T3F-2400x50	50	155	105
T3F-2400x63	63	181	118
T3F-2400x75	75	205	130
T3F-2400x80	80	215	135
T3F-2400x100	100	255	155
T3F-2400x125	125	305	180

Signifies **Preferred** offering based on FCA Standard



PRODUCT ANNOUNCEMENT

Subject: T3F – NEW Product Line Meeting FCA Standard 075.90.60	Date: 9/7/2017	Issue: 17-6 T3F
	Issued By: Stefanie Cooper	Page(s): 5 of 5

Cross reference FCA 075.90.60 – HYSON Metal Forming Solution										
kN	FCA Commodity Code	HYSON Order No.		kN	FCA Commodity Code	HYSON Order No.		kN	FCA Commodity Code	HYSON Order No.
1.7	39-673-0200	T3 170x10	7.5	39-673-0234	T3F 750x13	42	39-673-0268	T3 4200x25		
	39-673-0201	T3 170x15		39-673-0235	T3F 750x25		39-673-0269	T3 4200x38		
	39-673-0202	T3 170x25		39-673-0236	T3F 750x38		39-673-0270	T3 4200x50		
	39-673-0203	T3 170x38		39-673-0237	T3F 750x50		39-673-0271	T3 4200x63		
	39-673-0204	T3170x50		39-673-0238	T3F 750x63		39-673-0272	T3 4200x80		
	39-673-0205	T3 170x63		39-673-0239	T3F 750x80		39-673-0273	T3 4200x100		
	39-673-0206	T3 170x80		39-673-0240	T3F 750x100		39-673-0274	T3 4200x125		
	39-673-0207	T3170x100		39-673-0241	T3F 750x125		66	39-673-0276	T3 6600x25	
	39-673-0208	T3 170x125		39-673-0242	T3F 1000x13			39-673-0277	T3 6600x38	
3.5	39-673-0210	T3 350x10	10	39-673-0243	T3F 1000x25	39-673-0278		T3 6600x50		
	39-673-0211	T3 350x13		39-673-0244	T3F 1000x38	39-673-0279		T3 6600x63		
	39-673-0212	T3 350x16		39-673-0245	T3F 1000x50	39-673-0280		T3 6600x80		
	39-673-0214	T3 350x25		39-673-0246	T3F 1000x63	39-673-0281		T3 6600x100		
	39-673-0215	T3 350x38		39-673-0247	T3F 1000x80	39-673-0282		T3 6600x125		
	39-673-0216	T3 350x50		39-673-0248	T3F 1000x100	95		39-673-0284	T3 9500x25	
	39-673-0217	T3 350x63		39-673-0249	T3F 1000x125			39-673-0285	T3 9500x38	
	39-673-0218	T3 350x80		15	39-673-0251		T3F 1500x13	39-673-0286	T3 9500x50	
	39-673-0219	T3 350x100			39-673-0252		T3F 1500x25	39-673-0287	T3 9500x63	
39-673-0220	T3 350x125	39-673-0253	T3F 1500x38		39-673-0288		T3 9500x80			
5.0	39-673-0222	T3 500x10	39-673-0254		T3F 1500x50		39-673-0289	T3 9500x100		
	39-673-0223	T3 500x13	39-673-0255		T3F 1500x63		39-673-0290	T3 9500x125		
	39-673-0224	T3 500x16	39-673-0256		T3F 1500x80		199	39-673-0292	T3 20000x25	
	39-673-0226	T3 500x25	39-673-0257		T3F 1500x100			39-673-0293	T3 20000x38	
	39-673-0227	T3 500x38	39-673-0258		T3F 1500x125	39-673-0294		T3 20000x50		
	39-673-0228	T3 500x50	24		39-673-0260	T3F 2400x25		39-673-0295	T3 20000x63	
	39-673-0229	T3 500x63		39-673-0261	T3F 2400x38	39-673-0296		T3 20000x80		
	39-673-0230	T3 500x80		39-673-0262	T3F 2400x50	39-673-0297		T3 20000x100		
	39-673-0231	T3 500x100		39-673-0263	T3F 2400x63	39-673-0298		T3 20000x125		
39-673-0232	T3 500x125	39-673-0264		T3F 2400x80						
		39-673-0265		T3F 2400x100						
		39-673-0266		T3F 2400x125						