

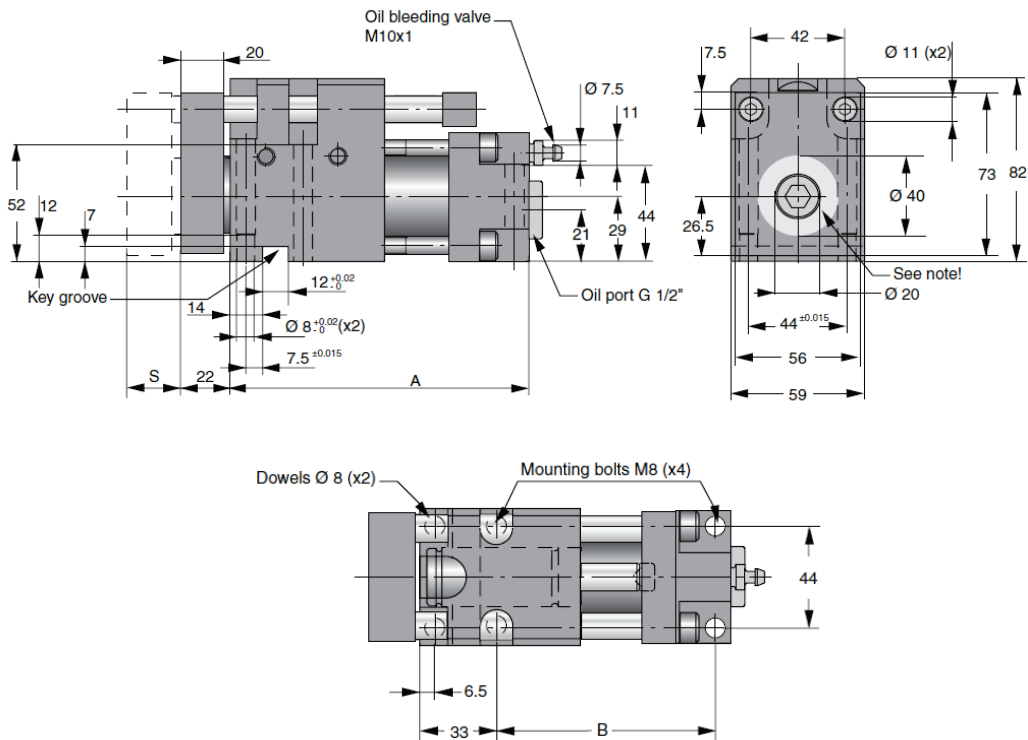
Subject: Addition of 10 mm Stroke to Compact CAM Units	Date: 10/26/2016	Issue: 16-4 Compact Cam
	Issued By: S. Cooper	Page(s): 1 of 2

HYSON Metal Forming Solutions announces that our Nitro-Cam® Compact Cam Units HCCU-15 and HCCH-15 are now available with a 10mm stroke. With this addition, customers will now be able to use Nitro-Cam in areas with very limited space to:

- Reduce cycle time of operation
- Increase multiple cam possibilities using HCPU-15 power unit
- Utilize shorter stroke for HCPU Power Units

HCCU-15 Compact Cam

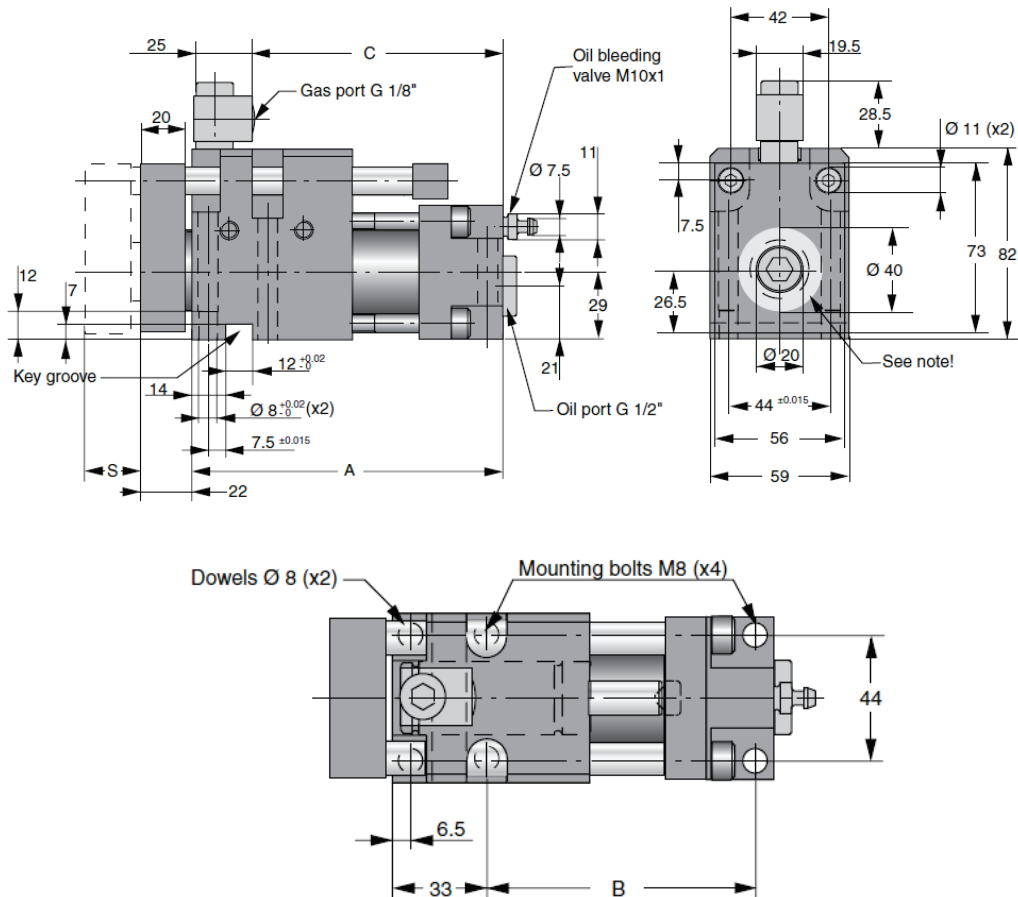
Part No.	Stroke Length (mm)	Return Gas Spring	Working Force (kN)	Return Force(kN)	A	B	Weight (kg)
HCCU-15 x 10	10 (new)	T2-180 x 25	15	2	119.5	80	4.0
HCCU-15 x 24	24	T2-180 x 25	15	2	133.5	94	4.2
HCCU-15 x 49	49	T2-180 x 50	15	2	158.5	4.6	



Subject: Addition of 10 mm Stroke to Compact CAM Units	Date: 10/26/2016	Issue: 16-4 Compact Cam
	Issued By: S. Cooper	Page(s): 2 of 2

HCCH-15 Compact CAM for Pressure Control

Part No.	Stroke Length (mm)	Return Gas Spring	Working Force(kN)	Return Force(kN)	A	B	C	Weight (kg)
HCCH-15 x 10	10 (new)	T2-180 x 25SP	15	2	119.5	80	93	4.1
HCCH-15 x 24	24	T2-180 x 25SP	15	2	133.5	94	107	4.3
HCCH-15 x 49	49	T2-180 x 50SP	15	2	158.5	119	132	4.7



Note: Please refer to the NITRO-CAM® catalog for additional components, function and installation guidance.