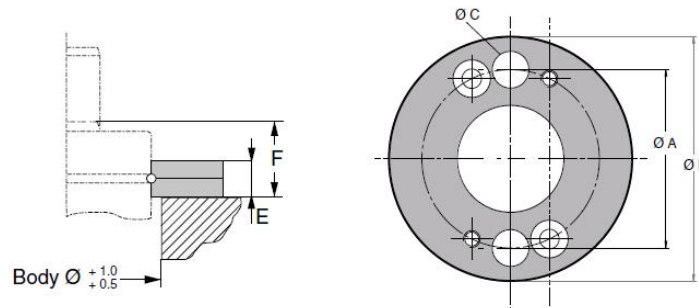


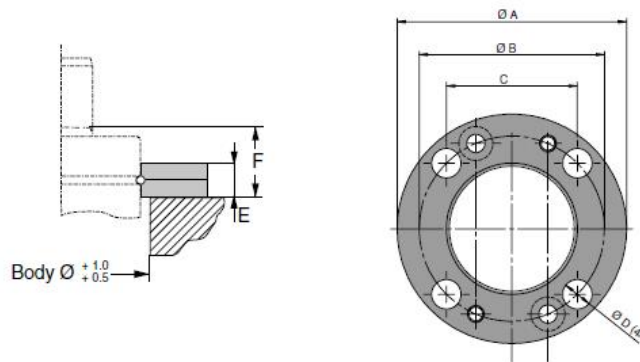
Subject: New Mounting Options	Date: 10/6/2016	Issue: 16-3 FC, FSS, FRM, FFL
	Issued By: S. Cooper	Page(s): 1 of 3

HYSON Metal Forming Solutions has launched several new flange models and a thread mount to offer additional mounting options to meet the needs of customers:

1. New FC Flanges: A new set of round flanges for smaller gas springs



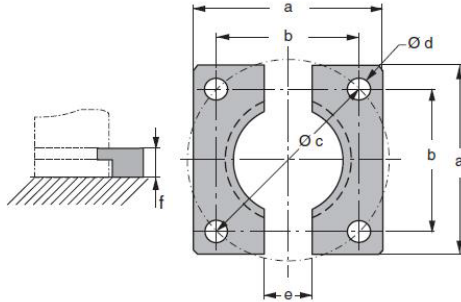
Part No.	Spring Size	ØA (mm)	ØB (mm)	ØC(mm)	E(mm)	F (mm)
FC-12	T2-50	25.0	36.0	6.6	9.0	21.5
FC-15	T2-70	27.0	37.0	6.6	9.0	21.5
FC-19	T2-90, T3-170	32.0	44.0	6.6	9.0	21.5



Part No.	Spring Size	ØA(mm)	ØB (mm)	C (mm)	ØD (mm)	E (mm)	F (mm)
FCN-150	T2-180, T3 320	56.0	42.0	29.7	9.0	9.0	21.5
FCN-250	T2L 300, T3 500	70.0	56.6	40.0	9.0	9.0	17.0
XFC-1500	T3 1500	105.0	85.0	60.0	11.0	16.0	27.0
XFCJ-1500	T3 1500	122.0	104.0	73.5	11.0	16.0	27.0

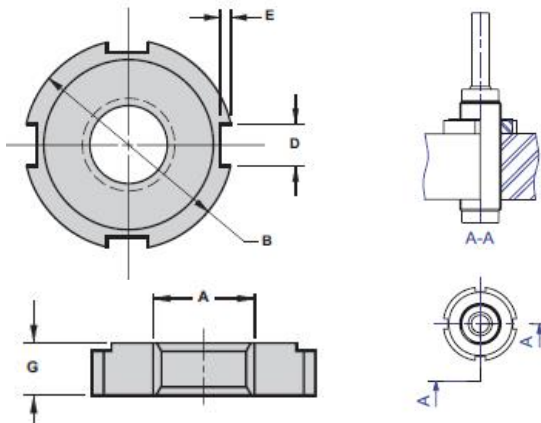
Subject: New Mounting Options	Date: 10/6/2016	Issue: 16-3 FC, FSS, FRM, FFL
	Issued By: S. Cooper	Page(s): 2 of 3

2. New **FFL** Flanges: Same layout as the FFC mount, but has external dimensions and hole pattern as the SF mount.



Part No.	Spring Size	A (mm)	B (mm)	Øc (mm)	Ød (mm)	e(mm)	f (mm)
FFL-750	NP-750, T3-1000	76.2	53.9	76.2	11.0	26.0	12.0
FFL-1500	NP-1500, T3-2400	101.6	76.2	107.8	13.5	26.0	12.0
FFL-3000	NP-3000, T3-4200	127.0	98.3	139.0	13.5	24.0	12.0
FFL-5000	NP-5000, T3-6600	139.7	114.3	161.7	13.5	24.0	12.0
FFL-7500	NP-7500, T3-9500	177.8	139.7	197.6	18.0	24.0	12.0

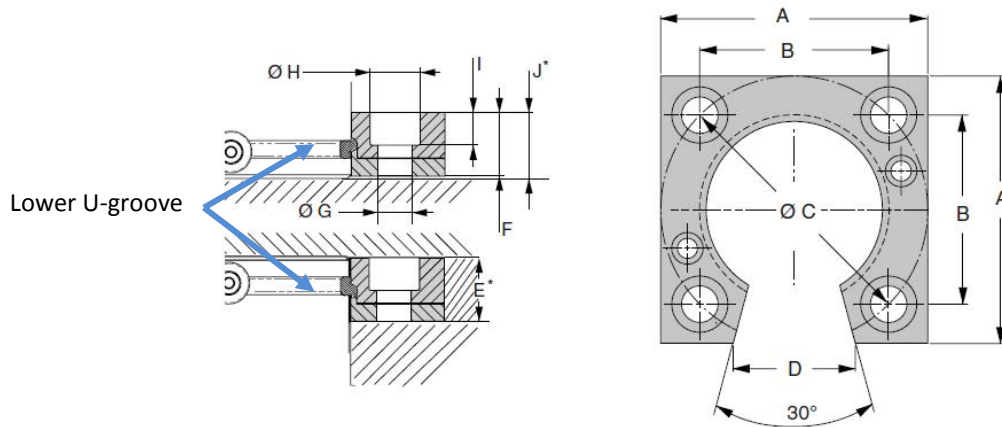
3. New **FRM** Lock Nut: New slotted round lock nut added to existing lock nuts. FRM Lock nut is designed for gas springs with an outer thread on the tube. *Meets GM standard 90.25.99*



Part No.	A (mm)	ØB (mm)	D (mm)	E (mm)	G (mm)
FRM-16	M16x1.5	32.0	5.0	2.0	7.0
FRM-19	M24x1.5	42.0	6.0	2.5	9.0

Subject: New Mounting Options	Date: 10/6/2016	Issue: 16-3 FC, FSS, FRM, FFL
	Issued By: S. Cooper	Page(s): 3 of 3

4. New **FSS** Flanges: Intended for springs with a lower U-Groove, FSS mount can be used for both upright and upside-down installations. Offers same layout as the SF mount, but has external dimensions and hole pattern as the FFC mount. *Meets Subaru standard SD116401*



Part No.	Spring Size	A (mm)	B (mm)	ØC (mm)	D (mm)	E* (mm)	F (mm)	ØG (mm)	ØH (mm)	I (mm)	J* (mm)
FSS-750	NP-750, T3-1000	75.0	56.5	80.0	35.0	26.0	25.5	9.0	15.0	10.5	26.0
FSS-1500	NP-1500, T3-2400	100.0	73.5	104.0	49.0	26.0	25.9	11.0	18.0	13.0	26.0
FSS-3000	NP-3000, T3-4200	120.0	92.0	130.0	61.0	26.0	25.9	13.5	20.0	13.0	26.0
FSS-5000	NP-5000, T3-6600	140.0	109.5	155.0	71.0	26.0	25.9	13.5	20.0	13.0	26.0
FSS-7500	NP-7500, T3-9500	190.0	138.0	195.2	88.0	26.4	26.2	18.0	26.0	16.0	26.6

* Approximate Value

Important Note:

The location of the Adapter Ring should always be the same regardless of the orientation of the installed gas spring. Only the flange halves change position.