

Subject: <b>T2SLG-H Series – NEW Product Line</b> Hold Down Cylinders	Date: 3/7/2018	Issue: 18-02 T2SLG-H
	Issued By: Rich LeAnza Jr.	Page(s): 1 of 1

**HYSON Metal Forming Solutions** announces the launch of **T2SLG-H Series**, a *new* product offering to meet binder hold down function in General Motor Standards 90.35.91 and 35.40.25. Based off our T2SLT Series, the new version provides equally distributed force while holding the panel during the return stroke; a minimum of four **T2SLG-H** Series cylinders are required in the upper tool.

### Available Stroke Lengths

- 50 mm
- 100 mm
- 125 mm

### Features:

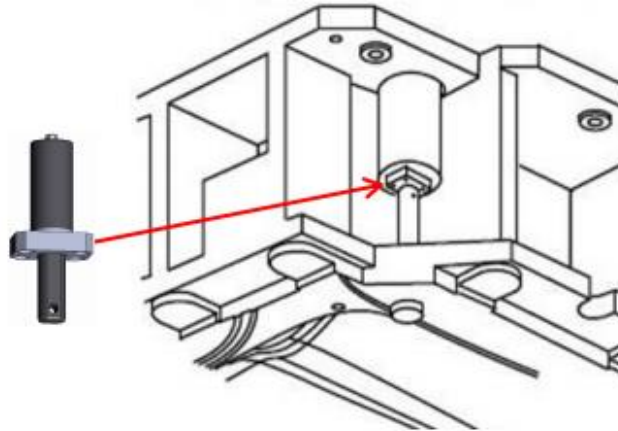
- Anti-rotation rod with a pre-machined retainer pinhole
- When charged to 125 Bar, contact force meets the General Motors Standard of 1180 N
- M6 port adapter for hose connection
- Fully repairable

### Availability:

T2SLG-H is now available to order.

### How to Order:

Model	– Size	x	Stroke
T2SLG-H	– 170	x	50
T2SLG-H	– 170	x	100
T2SLG-H	– 170	x	125



### Internal Repair Springs:

- T3 – 170 x [Stroke]

Order Number	Stroke	Contact Force*		Full Stroke Force*		Cylinder Height	Body Height	Gas Volume	Weight
Model x Stroke	S (mm)	N	lbf.	N	lbf.	Y ± 0.25 (mm)	L (mm)	ℓ	kg
T2SLG-H 170x50	50	1700	382	2800	630	162	85	0.012	0.92
T2SLG-H 170x100	100					265	135	0.024	1.19
T2SLG-H 170x125	125					315	163	0.030	1.33

\*At 180Bar initial charge pressure