

Subject: T2SS3-16-GM Gas Springs	Date: 5/5/2022	Issue: 18-03 T2SS3-16
	Issued By: Rich LeAnza Jr.	Page(s): 1 of 1

HYSON Metal Forming Solutions announces an additional product offering to the T2SS3 line of nitrogen gas stripper springs that complies with General Motors Global Die Standards (GMDS): 90.80.46.

Features:

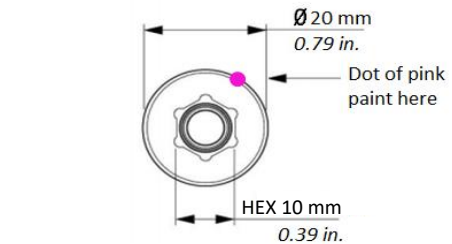
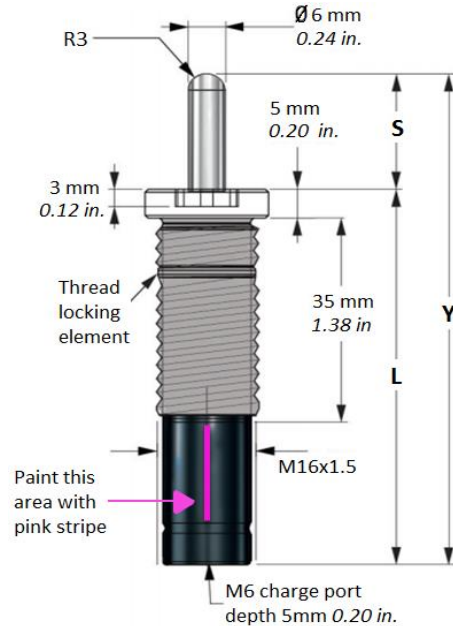
- Thread locking element
- Shoulder design for torque stop
- Radius on rod for slight lateral loads

Availability:

Now available to order.

How to Order:

Model	Size	x	Stroke
T2SS3	16	x	15-GM
T2SS3	16	x	20-GM
T2SS3	16	x	30-GM
T2SS3	16	x	40-GM



Installation Tool:

- 10mm internal hex for assembly
- Order No. 3021000



Order Number	Stroke (S)		Contact Force (N)	Charge Pressure (bar / psi)		Cylinder Height (Y)		Body Height (L)		Weight (Kg / lbs)	
	(mm)	(in)		(bar)	(psi)	±.25 (mm)	±.010(in)	(mm)	(in)	(Kg)	(lbs)
T2SS3-16X15-GM	15	0.59	162	57.3	830	75	2.95	60	2.36	0.07	0.14
T2SS3-16X20-GM	20	0.79				85	3.35	65	2.56	0.07	0.15
T2SS3-16X30-GM	30	1.18				105	4.13	75	2.95	0.07	0.18
T2SS3-16X40-GM	40	1.57				125	4.92	85	3.35	0.08	0.18