



T4SC Series

T4SC-420 to T4SC-18300

New Generation Sub-Compact Nitrogen Gas Springs



Product Value

- T4SC Gas Springs are very compact bore-sealed springs, which provide the highest force per cylinder diameter. These Gas Springs are ideal where space is limited in the die and very high forces are required.
- T4SC Gas Springs can be hosed together and charged remotely using a control panel and Hose System.
- As an option, the T4SC-1000 to 18300 springs can be delivered with a Side Port plate (SP) for applications where a side port is needed (e.g., for use in Hose Systems).
- From T4SC-1800 to 18300, the new compact unit is supplied with a new stroke length of 65mm.

Initial Force

Calculation of charge pressure (bar) for T4SC to achieve desired initial force (N):

X= Desired initial force in N

$$\text{Charge pressure} = 150 \cdot \frac{X}{\text{Initial force at 150 bar}}$$

T4SC-4700 to have a desired initial force of 25,000 N

$$\text{Charge pressure} = 150 \cdot \frac{25,000}{47,000} = 80 \text{ bar}$$



Product Specifications

Pressure medium	Nitrogen
Min. charging pressure	25 bar/360 psi
Max. charging pressure	150 bar/2175 psi
Operating temperature	0° to 80°C
Force increase by temperature	±0.3% per °C
Recommended max strokes/min for Models 420 & 740	~50-100 @20 °C
Recommended Max. Strokes/Min for Models 1000 & 1800	~100@ 20°C
Recommended Max. Strokes/Min for Models 2900, 4700, 7500, 11800 & 18300	~80-100 @ 20°C
Max piston rod velocity	48m/min. / 157 ft./min.
Max utilized stroke	100%
Valve Inlet	4018112 in (T4SC-420 & 740 and T4SC-1800 through 18300) 56-072-5500 (T4SC-1000)
Rod Surface	Nitrited
Tank Surface	Nitrited

Ordering Options

T4SC-XXXX	X	25
MODEL		STROKE (mm)
T4SC-420		See Dimensional Information Charts
T4SC-740		
T4SC-1000		
T4SC-1800		
T4SC-2900		
T4SC-4700		
T4SC-7500		
T4SC-11800		
T4SC-18300		

Repair Kits

Gas Spring	Repair Kit Order Number
T4SC-420	Not Repairable
T4SC-740	Not Repairable
T4SC-1000	3324835
T4SC-1800	3324836
T4SC-2900	3324837
T4SC-4700	3324838
T4SC-7500	3324839
T4SC-11800	3324840
T4SC-18300	3324841

Gas Spring Model	Page	Gas Spring Model	Page
T4SC-420	150	T4SC-4700	160
T4SC-740	152	T4SC-7500	162
T4SC-1000	154	T4SC-11800	164
T4SC-1800	156	T4SC-18300	166
T4SC-2900	158		

T4SC-420 provides full stroke force between 6,300 N (1,416 lbf) and 8,000 N (1,800 lbf) and is available in seven stroke lengths.

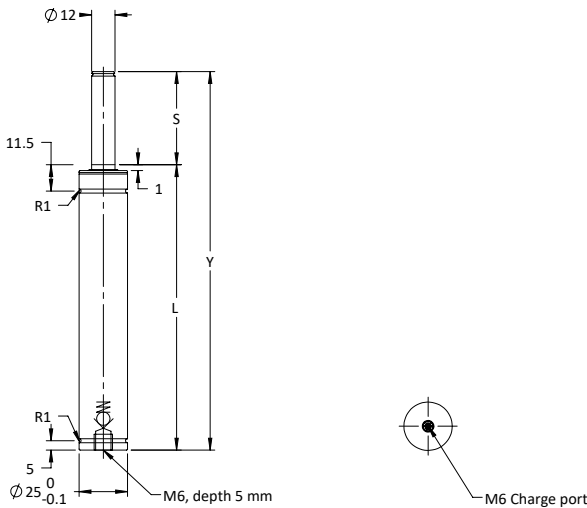
Strokes 10, 16 and 25 are offered as a part of the Hyson Preferred Program which provides optimal delivery.



Basic Information

For general information see “About Gas Springs”.

Min. charging pressure (at 20°C)	25 bar
Max. charging pressure (at 20°C)	150 bar
Contact Force at max. pressure (N)	4250
Contact Force at max. pressure (lbf)	955
Recommended max strokes/min (at 20°C)	~ 50-100
Cylinder diameter (mm)	25
Charge port	M6
Repair kit	Non-repairable
Operating temperature	0 to +80°C
Max piston rod velocity	0,8 m/s
Force increase by temperature	±0.3%/°C
Pressure medium	Nitrogen



Order Number (model X stroke)	Stroke S		Contact Force* 2175 psi at 68°F		Full Stroke Force*		Cylinder Height		Body Height		Gas Volume	Weight	
	mm	in	N	lbf.	N	lbf.	Y ±0.25	Y ±0.010	L			ℓ	kg
							mm	in	mm	in			
Preferred Stroke Lengths (optimal delivery)													
T4SC-420x10	10	0.39	4,250	955	6,300	1,416	91	2.76	60	2.36	0.008	0.18	0.397
T4SC-420x16	16	0.63			6,300	1,416	120	3.58	75	2.95	0.011	0.22	0.485
T4SC-420x25	25	0.98			6,400	1,439	70	4.72	95	3.74	0.005	0.15	0.331
Alternative Stroke Lengths													
T4SC-420x6	6	0.24	4,250	955	7,300	1,641	56	2.20	50	1.97	0.003	0.13	0.287
T4SC-420x32	32	1.26			7,900	1,776	140	5.51	108	4.25	0.021	0.24	0.529
T4SC-420x40	40	1.57			8,000	1,800	165	6.50	125	4.92	0.026	0.27	0.595
T4SC-420x50	50	1.97			8,000	1,800	195	7.68	145	5.71	0.032	0.31	0.683

NOTE: Stroke lengths of greater than 25 mm should be base or flange mounted.

* At full charge



Mounting Possibilities



Body $\varnothing_{+2.0}^{+0.5}$

Top mount
FC, FCR, FCR

Recommended Flanges



FC-180

235



FCR-180

237



FCR-25

236

Additional Flanges



FCN-150

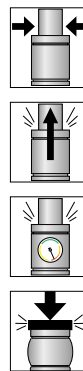
235

Note!

For dimensions on all mounting flanges, refer to “Flanges” in chapter 3.

T4SC-740 provides full stroke force between 10,000 N (2,250 lbf) and 12,000 N (2,700 lbf) and is available in seven stroke lengths.

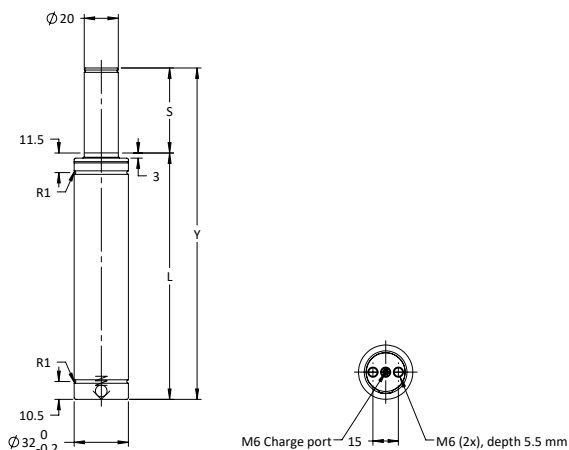
Strokes 10, 16 and 25 are offered as a part of the Hyson Preferred Program which provides optimal delivery.



Basic Information

For general information see “About Gas Springs”.

Min. charging pressure (at 20°C)	25 bar
Max. charging pressure (at 20°C)	150 bar
Contact Force at max. pressure (N)	7400
Contact Force at max. pressure (lbf)	1660
Recommended max strokes/min (at 20°C)	~ 50-100
Cylinder diameter (mm)	32
Charge port	M6
Repair kit	3325048
Operating temperature	0 to +80°C
Max piston rod velocity	0,8 m/s
Force increase by temperature	±0.3%/°C
Pressure medium	Nitrogen



Order Number (model X stroke)	Stroke S		Contact Force* 2175 psi at 68°F		Full Stroke Force*		Cylinder Height		Body Height		Gas Volume	Weight	
							Y ±0.25	Y ±0.010	L			kg	lb
	mm	in	N	lbf.	N	lbf.	mm	in	mm	in	ℓ		
Preferred Stroke Lengths (optimal delivery)													
T4SC-740x10	10	0.39	7,400	1,663	10,000	2,250	75	2.95	65	2.56	0.017	0.24	0.529
T4SC-740x16	16	0.63			11,000	2,500	93	3.66	77	3.03	0.024	0.28	0.617
T4SC-740x25	25	0.98			12,000	2,700	120	4.72	95	3.74	0.034	0.33	0.728
Alternative Stroke Lengths													
T4SC-740x6	6	0.24	7,400	1,663	10,000	2,250	63	2.48	57	2.24	0.012	0.20	0.441
T4SC-740x32	32	1.26			12,000	2,700	140	5.51	108	4.25	0.042	0.37	0.816
T4SC-740x40	40	1.57			12,000	2,700	165	6.50	125	4.92	0.052	0.42	0.926
T4SC-740x50	50	1.97			12,000	2,700	195	7.68	145	5.71	0.063	0.48	1.058

NOTE: Stroke lengths of greater than 25 mm should be base or flange mounted.

* At full charge

Mounting Possibilities



Body $\varnothing_{+2.0}^{+0.5}$

Top mount
FC, FCS

Recommended Flanges



FC-350

235



FCS-32

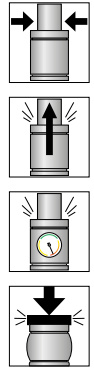
238

Note!

For dimensions on all mounting flanges, refer to “Flanges” in chapter 3.

T4SC-1000 provides full stroke force is 16,000 N (3,597 lbf) and is available in seven stroke lengths.

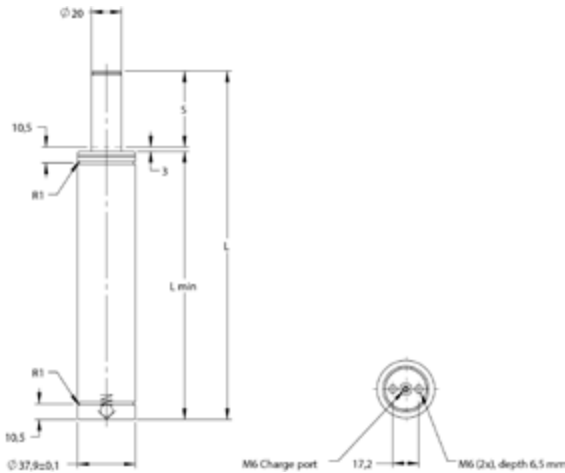
Strokes 10, 16 and 25 are offered as a part of the Hyson Preferred Program which provides optimal delivery.



Basic Information

For general information see “About Gas Springs”.

Min. charging pressure (at 20°C)	25 bar
Max. charging pressure (at 20°C)	150 bar
Contact Force at max. pressure (N)	10600
Contact Force at max. pressure (lbf)	2400
Recommended max strokes/min (at 20°C)	~ 100
Cylinder diameter (mm)	38
Charge port	M6
Repair kit	3324835
Operating temperature	0 to +80°C
Max piston rod velocity	0,8 m/s
Force increase by temperature	±0.3%/°C
Pressure medium	Nitrogen



Order Number (model X stroke)	Stroke S		Contact Force* 2175 psi at 68°F		Full Stroke Force*		Cylinder Height		Body Height		Gas Volume	Weight	
	mm	in	N	lbf.	N	lbf.	Y ±0.25	Y ±0.010	L			ℓ	kg
							mm	in	mm	in			
Preferred Stroke Lengths (optimal delivery)													
T4SC-1000x10	10	0.39					78	3.07	68	2.68	0.024	0.38	0.838
T4SC-1000x16	16	0.63	10,600	2,400	16,000	3,597	100	3.94	84	3.31	0.036	0.44	0.970
T4SC-1000x25	25	0.98					135	5.31	110	4.33	0.056	0.54	1.190
Alternative Stroke Lengths													
T4SC-1000x6	6	0.24					61	2.40	55	2.16	0.014	0.33	0.728
T4SC-1000x32	32	1.26	10,600	2,400	16,000	3,597	167	6.57	135	5.31	0.074	0.65	1.433
T4SC-1000x40	40	1.57					195	7.68	155	6.10	0.092	0.73	1.609
T4SC-1000x50	50	1.97					230	9.05	180	7.08	0.110	0.83	1.830

NOTE: Stroke lengths of greater than 25 mm should be base or flange mounted.

* At full charge



Mounting Possibilities



Body $\varnothing_{+2.0}^{+0.5}$
Top mount
FC, FCS



Foot mount
BF



Base mount
SP

Recommended Flanges



SP-1000



251



FCS-250



238



FC-250



235



BF-1000



233

Additional Flanges



FCN-250



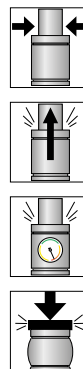
235

Note!

For dimensions on all mounting flanges, refer to "Flanges" in chapter 3.

T4SC-1800 provides full stroke force between 25,000 N (5,620 lbf) and 28,000 N (6,294 lbf) and is available in eight stroke lengths.

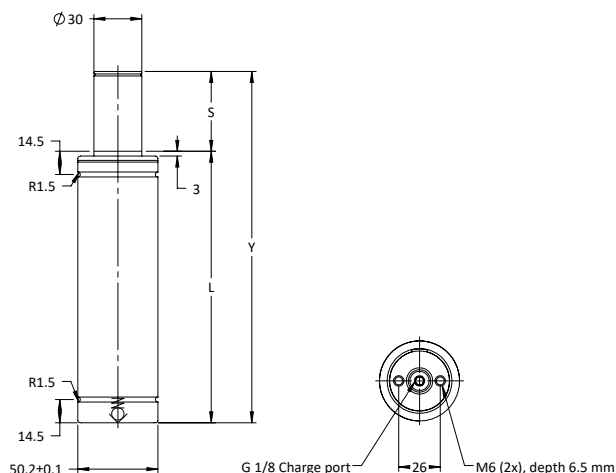
Strokes 10, 16 and 25 are offered as a part of the Hyson Preferred Program which provides optimal delivery.



Basic Information

For general information see “About Gas Springs”.

Min. charging pressure (at 20°C)	25 bar
Max. charging pressure (at 20°C)	150 bar
Contact Force at max. pressure (N)	18000
Contact Force at max. pressure (lbf)	4050
Recommended max strokes/min (at 20°C)	~ 100
Cylinder diameter (mm)	50
Charge port	G 1/8”
Repair kit	3324836
Operating temperature	0 to +80°C
Max piston rod velocity	0.8 m/s
Force increase by temperature	±0.3%/°C
Pressure medium	Nitrogen



Order Number (model X stroke)	Stroke S		Contact Force* 2175 psi at 68°F		Full Stroke Force*		Cylinder Height		Body Height		Gas Volume	Weight	
	mm	in	N	lbf.	N	lbf.	Y ±0.010		L			ℓ	kg
							mm	in	mm	in			
Preferred Stroke Lengths (optimal delivery)													
T4SC-1800x10	10	0.39	18,000	4,050	25,000	5,620	80	3.15	70	2.76	0.044	0.66	1.455
T4SC-1800x16	16	0.63			25,000	5,620	106	4.17	90	3.54	0.072	0.79	1.742
T4SC-1800x25	25	0.98			26,000	5,845	135	5.31	110	4.33	0.100	0.93	2.050
Alternative Stroke Lengths													
T4SC-1800x6	6	0.24	18,000	4,050	24,000	5,395	66	2.60	60	2.36	0.030	0.60	1.323
T4SC-1800x32	32	1.26			26,000	5,845	162	6.38	130	5.12	0.126	1.06	2.337
T4SC-1800x40	40	1.57			26,000	5,845	190	7.48	150	5.90	0.150	1.19	2.624
T4SC-1800x50	50	1.97			27,000	6,070	220	8.66	170	6.69	0.179	1.32	2.910
T4SC-1800x65	65	2.56			28,000	6,294	271	10.66	206	8.11	0.240	1.52	3.351

NOTE: Stroke lengths of greater than 25 mm should be base or flange mounted.

* At full charge

Mounting Possibilities



Body $\varnothing_{+2.0}^{+0.5}$
Top mount
FK



Foot mount
BF



Base mount
SP

Recommended Flanges



SP-1800

251



FK-1800

241



BF-1800

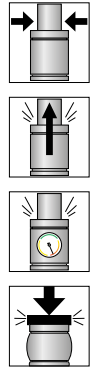
233

Note!

For dimensions on all mounting flanges, refer to “Flanges” in chapter 3.

T4SC-2900 provides full stroke force between 40,000 N (8,990 lbf) and 47,000 N (10,570 lbf) and is available in seven stroke lengths.

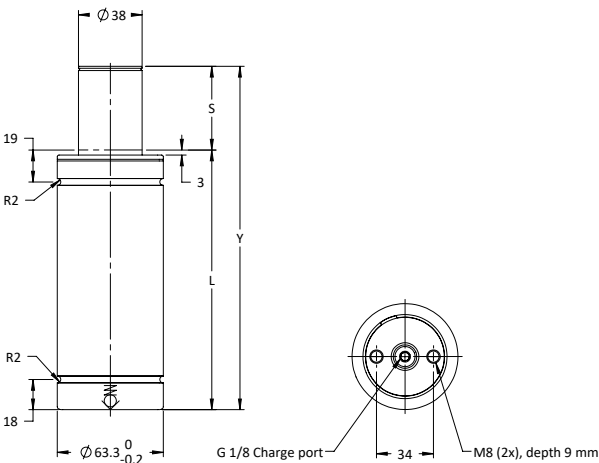
Strokes 10, 16 and 25 are offered as a part of the Hyson Preferred Program which provides optimal delivery.



Basic Information

For general information see “About Gas Springs”.

Min. charging pressure (at 20°C)	25 bar
Max. charging pressure (at 20°C)	150 bar
Contact Force at max. pressure (N)	42000
Contact Force at max. pressure (lbf)	9440
Recommended max strokes/min (at 20°C)	~ 40-100
Cylinder diameter (mm)	95
Charge port	G 1/8”
Repair kit	3322953
Operating temperature	0 to +80°C
Max piston rod velocity	1.6 m/s
Force increase by temperature	±0.3%/°C
Pressure medium	Nitrogen



Order Number (model X stroke)	Stroke S		Contact Force* 2175 psi at 68°F		Full Stroke Force*		Cylinder Height		Body Height		Gas Volume	Weight	
	mm	in	N	lbf.	N	lbf.	Y ±0.25		L			ℓ	kg
							mm	in	mm	in			
Preferred Stroke Lengths (optimal delivery)													
T4SC-2900x10	10	0.39	29,500	6,630	40,000	8,990	85	3.35	75	2.95	0.08	1.14	2.513
T4SC-2900x16	16	0.63			42,000	9,442	103	4.05	87	3.42	0.12	1.28	2.822
T4SC-2900x25	25	0.98			45,000	10,120	130	5.12	105	4.13	0.16	1.49	3.285
Alternative Stroke Lengths													
T4SC-2900x32	32	1.26	29,500	6,630	46,000	10,340	150	5.90	118	4.64	0.20	1.64	3.616
T4SC-2900x40	40	1.57			47,000	10,570	175	6.89	135	5.31	0.24	1.83	4.034
T4SC-2900x50	50	1.97			45,000	10,120	205	8.07	155	6.10	0.29	2.06	4.542
T4SC-2900x65	65	2.56			47,000	10,570	256	10.08	191	7.52	0.35	2.39	5.269

* At full charge

Mounting Possibilities



Top mount
FCSC, FCS



Foot mount
SP

Recommended Flanges



SP-2900

251



FCSX-1500

238

Additional Flanges



FCSCX-1500

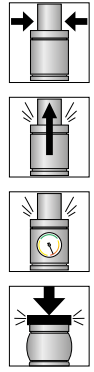
239

Note!

For dimensions on all mounting flanges, refer to “Flanges” in chapter 3.

T4SC-4700 provides full stroke force between 67,000 N (15,060 lbf) and 71,000 N (15,960 lbf) and is available in seven stroke lengths.

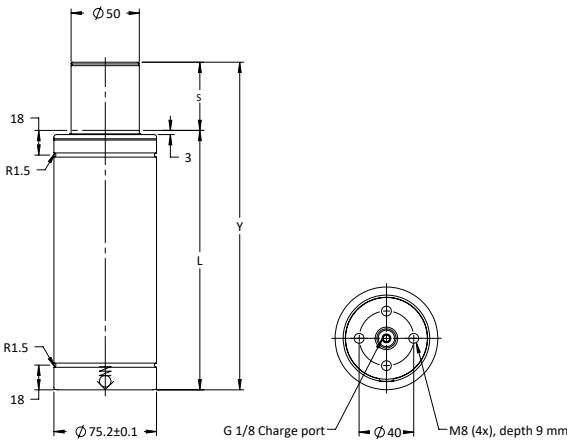
Strokes 10, 16 and 25 are offered as a part of the Hyson Preferred Program which provides optimal delivery.



Basic Information

For general information see "About Gas Springs".

Min. charging pressure (at 20°C)	25 bar
Max. charging pressure (at 20°C)	150 bar
Contact Force at max. pressure (N)	47000
Contact Force at max. pressure (lbf)	10570
Recommended max strokes/min (at 20°C)	~80-100
Cylinder diameter (mm)	75
Charge port	G 1/8"
Repair kit	3324838
Operating temperature	0 to +80°C
Max piston rod velocity	0.3 m/s
Force increase by temperature	±0.3%/°C
Pressure medium	Nitrogen



Order Number (model X stroke)	Stroke S		Contact Force* 2175 psi at 68°F		Full Stroke Force*		Cylinder Height		Body Height		Gas Volume	Weight	
							Y ±0.25		Y ±0.010			L	
	mm	in	N	lbf.	N	lbf.	mm	in	mm	in	ℓ		
Preferred Stroke Lengths (optimal delivery)													
T4SC-4700x10	10	0.39	47,000	10,600	67,000	15,062	80	3.15	70	2.75	0.10	1.55	3.417
T4SC-4700x16	16	0.63			66,000	14,837	106	4.17	90	3.54	0.17	1.79	3.946
T4SC-4700x25	25	0.98			68,000	15,287	135	5.31	110	4.33	0.24	2.05	4.519
Alternative Stroke Lengths													
T4SC-4700x32	32	1.26	47,000	10,600	67,000	15,062	167	6.57	135	5.31	0.32	2.34	5.159
T4SC-4700x40	40	1.57			67,000	15,062	200	7.87	160	6.29	0.41	2.65	5.842
T4SC-4700x50	50	1.97			67,000	15,062	240	9.45	190	7.48	0.52	3.01	6.636
T4SC-4700x65	65	2.56			71,000	15,961	273	10.75	208	8.19	0.62	3.12	6.878

* At full charge



Mounting Possibilities



Top mount
FK



Foot mount
BFP



Base mount
SP, SPRM

Recommended Flanges



SP-4700



FK-1500



BFP-4700



Additional Flanges



SPRM-75

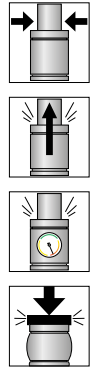


Note!

For dimensions on all mounting flanges, refer to “Flanges” in chapter 3.

T4SC-7500 provides full stroke force between 98,500 N (22,140 lbf) and 111,000 N (24,950 lbf) and is available in seven stroke lengths.

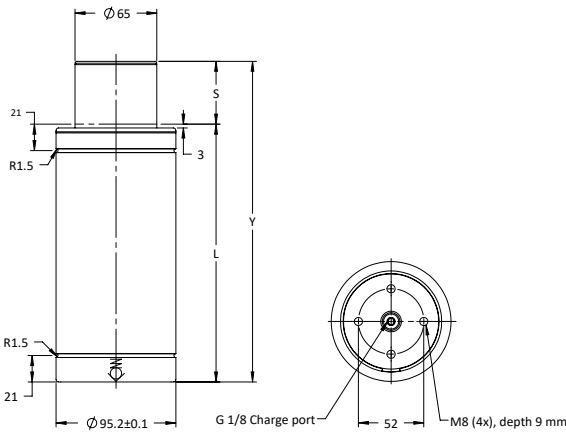
Strokes 10, 16 and 25 are offered as a part of the Hyson Preferred Program which provides optimal delivery.



Basic Information

For general information see “About Gas Springs”.

Min. charging pressure (at 20°C)	25 bar
Max. charging pressure (at 20°C)	150 bar
Contact Force at max. pressure (N)	75000
Contact Force at max. pressure (lbf)	16860
Recommended max strokes/min (at 20°C)	~ 80-100
Cylinder diameter (mm)	95
Charge port	G 1/8"
Repair kit	3324839
Operating temperature	0 to +80°C
Max piston rod velocity	0.8 m/s
Force increase by temperature	±0.3%/°C
Pressure medium	Nitrogen



Order Number (model X stroke)	Stroke S		Contact Force* 2175 psi at 68°F		Full Stroke Force*		Cylinder Height		Body Height		Gas Volume	Weight				
	mm	in	N	lbf.	N	lbf.	Y ±0.25	Y ±0.010	L			kg	lb			
							mm	in	mm	in						
Preferred Stroke Lengths (optimal delivery)																
T4SC-7500x10	10	0.39	75,000	16,650	98,500	22,143	90	3.54	80	3.15	0.18	2.86	6.305			
T4SC-7500x16	16	0.63			100,000	22,480	116	4.56	100	3.94				0.30	3.22	7.099
T4SC-7500x25	25	0.98			104,000	23,380	145	5.70	120	4.72				0.41	3.61	7.959
Alternative Stroke Lengths																
T4SC-7500x32	32	1.26	75,000	16,650	102,000	22,930	182	7.16	150	5.90	0.57	4.14	9.127			
T4SC-7500x40	40	1.57			104,000	23,380	210	8.27	170	6.69				0.68	4.52	9.965
T4SC-7500x50	50	1.97			103,000	23,155	255	10.04	205	8.07				0.87	5.15	11.354
T4SC-7500x65	65	2.56			111,000	24,953	279	14.92	214	8.42				1.00	5.23	11.530

* At full charge

Mounting Possibilities



Top mount
FK



Foot mount
BFP



Base mount
SP, SPRM

Recommended Flanges



SP-7500



FK-3000



BFP-7500



Additional Flanges



SPRM-95

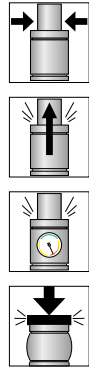


Note!

For dimensions on all mounting flanges, refer to “Flanges” in chapter 3.

T4SC-11800 provides full stroke force between 150,000 N (33,720 lbf) and 163,000 N (36,640 lbf) and is available in seven stroke lengths.

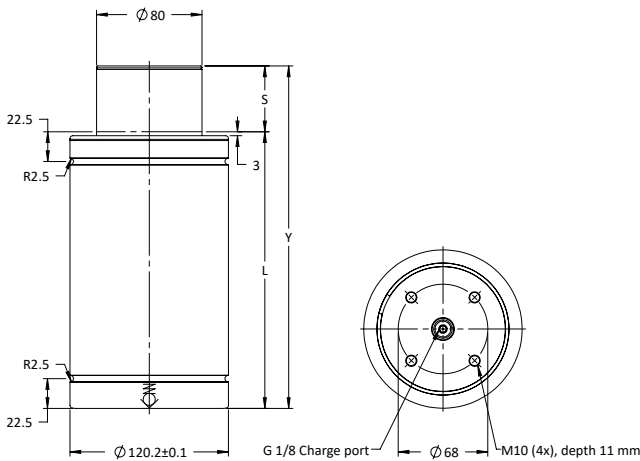
Strokes 10,16 and 25 are offered as a part of the Hyson Preferred Program which provides optimal delivery.



Basic Information

For general information see “About Gas Springs”.

Min. charging pressure (at 20°C)	25 bar
Max. charging pressure (at 20°C)	150 bar
Contact Force at max. pressure (N)	118000
Contact Force at max. pressure (lbf)	26530
Recommended max strokes/min (at 20°C)	~80-100
Cylinder diameter (mm)	120
Charge port	G 1/8”
Repair kit	3324840
Operating temperature	0 to +80°C
Max piston rod velocity	0.8 m/s
Force increase by temperature	±0.3%/°C
Pressure medium	Nitrogen



Order Number (model X stroke)	Stroke S		Contact Force* 2175 psi at 68°F		Full Stroke Force*		Cylinder Height		Body Height		Gas Volume	Weight	
	mm	in	N	lbf.	N	lbf.	Y ±0.25		L			ℓ	kg
							mm	in	mm	in			
Preferred Stroke Lengths (optimal delivery)													
T4SC-11800x10	10	0.39	118,000	26,527	150,000	33,721	100	3.94	90	3.54	0.33	4.95	10.913
T4SC-11800x16	16	0.63			153,000	34,395	126	4.96	110	4.33	0.50	5.55	12.236
T4SC-11800x25	25	0.98			160,000	35,969	155	6.10	130	5.12	0.60	6.17	13.603
Alternative Stroke Lengths													
T4SC-11800x32	32	1.26	118,000	26,527	165,000	37,093	187	7.36	155	6.10	0.88	6.90	15.212
T4SC-11800x40	40	1.57			160,000	35,969	220	8.66	180	7.09	1.00	7.65	16.865
T4SC-11800x50	50	1.97			161,000	36,194	260	10.24	210	8.27	1.35	8.55	18.850
T4SC-11800x65	65	2.56			163,000	36,643	320	12.60	255	10.04	1.90	9.56	21.076

* At full charge



Mounting Possibilities



Body $\varnothing_{+2.0}^{+0.5}$

Top mount
FC, FCS



Foot mount
BF



Base mount
SP, SPRM

Recommended Flanges



SP-11800



251



FC-5000



235



FCS-5000



238



BF-11800



233

Additional Flanges



SPRM-120



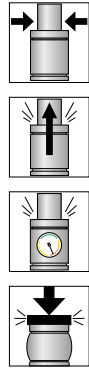
253

Note!

For dimensions on all mounting flanges, refer to “Flanges” in chapter 3.

T4SC-18300 provides full stroke force between 227,000 N (51,030 lbf) and 1253,000 N (56,870 lbf) and is available in seven stroke lengths.

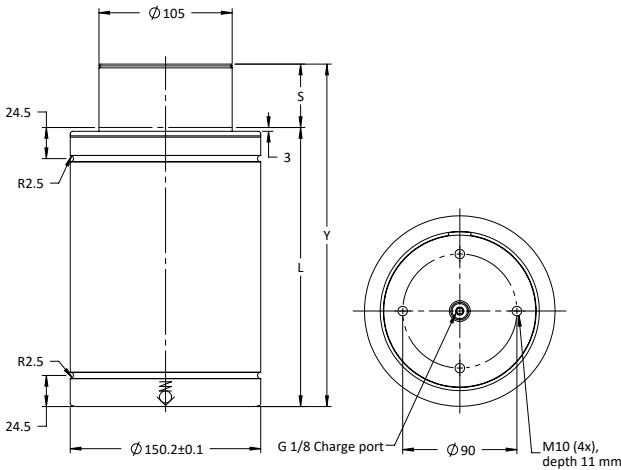
Strokes 10,16 and 25 are offered as a part of the Hyson Preferred Program which provides optimal delivery.



Basic Information

For general information see “About Gas Springs”.

- Min. charging pressure (at 20°C) 25 bar
- Max. charging pressure (at 20°C) 150 bar
- Contact Force at max. pressure (N) 183000
- Contact Force at max. pressure (lbf) 41140
- Recommended max strokes/min (at 20°C) ~80-100
- Cylinder diameter (mm) 150
- Charge port G 1/8”
- Repair kit 3324841
- Operating temperature 0 to +80°C
- Max piston rod velocity 0.8 m/s
- Force increase by temperature ±0.3%/°C
- Pressure medium Nitrogen



Order Number	Stroke S		Contact Force* 2175 psi at 68°F		Full Stroke Force*		Cylinder Height		Body Height		Gas Volume	Weight	
	mm	in	N	lbf.	N	lbf.	Y ±0.25	Y ±0.010	L			ℓ	kg
							mm	in	mm	in			
Preferred Stroke Lengths (optimal delivery)													
T4SC-18300x10	10	0.39	183,000	41,140	227,000	51,031	110	4.33	100	3.94	0.56	8.78	19.357
T4SC-18300x16	16	0.63			233,000	52,380	136	5.35	120	4.72	0.84	9.72	21.429
T4SC-18300x25	25	0.98			244,000	54,853	165	6.50	140	5.51	1.13	10.71	23.612
Alternative Stroke Lengths													
T4SC-18300x32	32	1.26	183,000	41,140	244,000	54,853	197	7.76	165	6.50	1.45	11.80	26.015
T4SC-18300x40	40	1.57			244,000	54,853	235	9.25	195	7.68	1.86	13.28	29.277
T4SC-18300x50	50	1.97			248,000	55,752	270	10.63	220	8.66	2.19	14.50	31.967
T4SC-18300x65	65	2.56			253,000	56,876	323	12.72	258	10.16	2.90	16.30	35.935

* At full charge

Mounting Possibilities



Body $\varnothing_{+0.5}^{-2.0}$
Top mount
FC, FCS



Foot mount
BF



Base mount
SP, SPRM

Recommended Flanges



SP-18300
 251



FC-7500
 235



FCS-7500
 238



BF-18300
 233

Additional Flanges



SPRM-150
 253

Note!

For dimensions on all mounting flanges, refer to “Flanges” in chapter 3.